



JL INDUSTRIES
INCORPORATED

ACADAMY - ALUMINUM **DETAIL AND SUBMITTAL SHEET**

MODEL NUMBER: _____ QUANTITY: _____

DISTRIBUTOR: _____

PROJECT: _____

ARCHITECT: _____

CONTRACTOR: _____

APPROVED BY: _____ DATE: _____

STEP 1 SELECT MODEL NUMBER AND QUANTITY (refer to chart on back for model number)

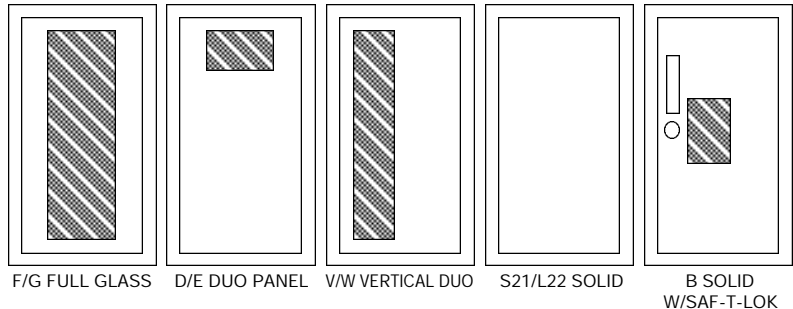
A. Determine Trim Style according to wall depth.

B. Determine Tub I.D. according to size most suited for extinguisher and wall opening.

NOTE: If wall is fire rated, ask for separate Fire-FX™ recessed or semi-recessed cabinet detail and submittal sheet.

STEP 2 SELECT DOOR STYLE ("x" check one box below)

- F FULL GLASS W/PULL HANDLE
- G FULL GLASS W/SAF-T-LOK
- D DUO PANEL W/PULL HANDLE
- E DUO PANEL W/SAF-T-LOK
- V VERTICAL DUO W/PULL HANDLE
- W VERTICAL DUO W/SAF-T-LOK
- S21 SOLID W/PULL HANDLE
- L22 SOLID W/LOCK
- B SOLID W/SAF-T-LOK



STEP 3 SELECT DOOR GLAZING ("x" check one box below)

- | | |
|--|--|
| <input type="checkbox"/> 10 CLEAR ACRYLIC | <input type="checkbox"/> 16 GRAY ACRYLIC |
| <input type="checkbox"/> 13 CLEAR WIRE GLASS | <input type="checkbox"/> 17 CLEAR TEMPERED GLASS |
| <input type="checkbox"/> 15 BRONZE ACRYLIC | <input type="checkbox"/> 18 CLEAR SAFETY GLASS |

STEP 4 SELECT OPTIONS (if applicable "x" check any box below)

- | | | |
|--|--|--|
| <input type="checkbox"/> COLOR EPOXY TUB - RED | <input type="checkbox"/> FE LETTERS - BLK VERTICAL | <input type="checkbox"/> DECALS - BLK VERTICAL |
| <input type="checkbox"/> COLOR EPOXY TUB - BLK | <input type="checkbox"/> FE LETTERS - RED VERTICAL | <input type="checkbox"/> DECALS - RED VERTICAL |
| <input type="checkbox"/> ALUMINUM TUB - MILL FINISH | <input type="checkbox"/> FE LETTERS - WHITE VERTICAL | <input type="checkbox"/> DECALS - WHITE VERTICAL |
| <input type="checkbox"/> ANODIZED DOOR AND TRIM - BRONZE | <input type="checkbox"/> FE LETTERS - BLK HORIZONTAL | <input type="checkbox"/> DECALS - BLK HORIZONTAL |
| <input type="checkbox"/> FUTURA "FIRE" HANDLE | <input type="checkbox"/> FE LETTERS - RED HORIZONTAL | <input type="checkbox"/> DECALS - RED HORIZONTAL |
| <input type="checkbox"/> FLUSH PULL HANDLE | <input type="checkbox"/> FE LETTERS - WHITE HORIZONTAL | <input type="checkbox"/> DECALS - WHITE HORIZONTAL |
| | <input type="checkbox"/> COMMANDER ALARM | <input type="checkbox"/> BRIGADIER ALARM |

JL INDUSTRIES FAX: 952-835-2218 – 4450 W. 78th St. Circle, Bloomington, MN 55435 PHONE: 952-835-6850
JL WEST COAST FAX: 323-726-9068 – 6285 Randolph Street, Commerce, CA 90040 PHONE: 323-726-9070
JL SOUTH EAST FAX: 239-693-7501 – 5758 Corporation Circle, FT. Myers, FL 33905 PHONE: 239-693-7500

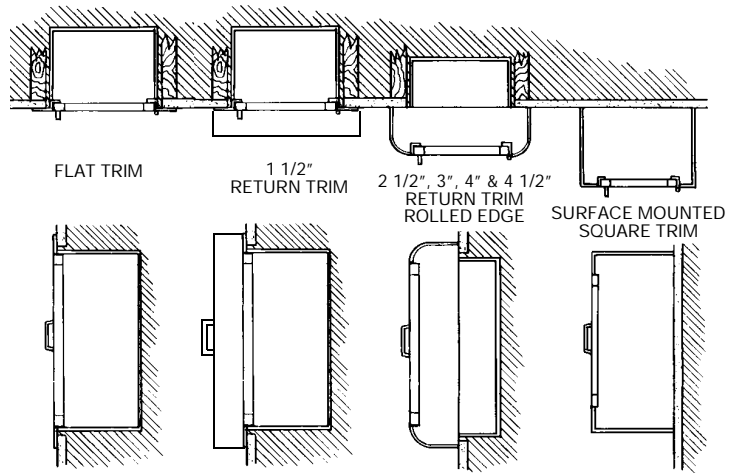
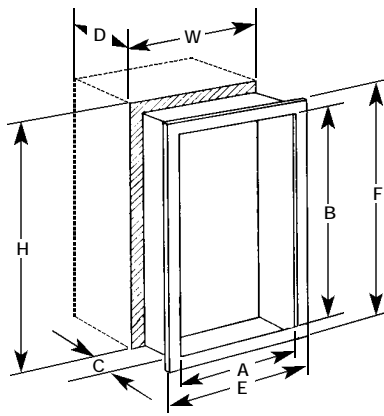
Visit our website for additional specification information.

www.jlindustries.com

CABINET SPECIFICATIONS

- Trim and door material - aluminum #180 clear anodized finish • Tub - steel with electrostatic white epoxy primer finish • 1 3/4" wide face trim on frame and door • Door formed with 5/8" nominal thickness
- Standard door hardware - continuous hinge, zinc plated pull handle/roller catch
- SAF-T-LOK doors - cylinder lock with flexible cam

EXPLODED TOP AND SIDE VIEWS
REFER TO DIMENSIONS TABLE BELOW



DIMENSIONS IN INCHES

MODEL #	TRIM STYLE	TUB I.D.			FRAME O.D.		WALL OPENING NON-RATED			ACCOMMODATES THESE J.L. EXTINGUISHERS
		A	B	C	E	F	W	H	D	
___1825*	FLAT TRIM	10 1/2"	24"	5 1/2"	13 7/8"	27 3/8"	11 1/2"	25"	5 1/2"	Cosmic 2 1/2E, 5E, 5X Galaxy 2 1/2, 5, 5 1/2 Mercury 2 1/2, 5
___1826*	1 1/2"	10 1/2"	24"	5 1/2"	13 7/8"	27 3/8"	11 1/2"	25"	4"	
___1827*	3"	10 1/2"	24"	5 1/2"	13 7/8"	27 3/8"	11 1/2"	25"	3 1/4"	
___1822*	4"	10 1/2"	24"	5 1/2"	13 7/8"	27 3/8"	11 1/2"	25"	2 1/4"	
___1828	4 1/2"	10 1/2"	24"	5 1/2"	13 7/8"	27 3/8"	11 1/2"	25"	1 3/4"	
___1024*	TRIMLESS	10 1/2"	24"	6"	10 3/4"	24 1/4"	11"	24 1/2"	6 1/4"	Cosmic 2 1/2E, 5E, 5X, 6E, 10E Galaxy 2 1/2, 5, 5 1/2, 6, 10 Sentinel 5 Mercury 2 1/2, 5
___1025*	FLAT TRIM	10 1/2"	24"	6"	13 7/8"	27 3/8"	11 1/2"	25"	6"	
___1026*	1 1/2"	10 1/2"	24"	6"	13 7/8"	27 3/8"	11 1/2"	25"	4 1/2"	
___1027*	3"	10 1/2"	24"	6"	13 7/8"	27 3/8"	11 1/2"	25"	3 3/4"	
___1022*	4"	10 1/2"	24"	6"	13 7/8"	27 3/8"	11 1/2"	25"	2 3/4"	
___1028	4 1/2"	10 1/2"	24"	6"	13 7/8"	27 3/8"	11 1/2"	25"	2 1/4"	
___1023	SURF. MTD.	13 11/16"	27 3/16"	6 5/8"	13 7/8"	27 3/8"	-	-	-	Any Cosmic, Any Galaxy Grenadier P, Sentinel 5, 10 Mercury 2 1/2, 5 Saturn 15, 25
___2024*	TRIMLESS	12"	27"	7 3/4"	12 1/4"	27 1/4"	12 1/2"	27 1/2"	7 7/8"	
___2025*	FLAT TRIM	12"	27"	7 3/4"	15 3/8"	30 3/8"	13"	28"	7 7/8"	
___2026*	1 1/4"	12"	27"	7 3/4"	15 3/8"	30 3/8"	13"	28"	6 3/4"	
___2027*	2 1/2"	12"	27"	7 3/4"	15 3/8"	30 3/8"	13"	28"	6"	
___2022*	4"	12"	27"	7 3/4"	15 3/8"	30 3/8"	13"	28"	4 1/2"	
___2028	4 1/2"	12"	27"	7 3/4"	15 3/8"	30 3/8"	13"	28"	4"	
___2023	SURF. MTD.	15 3/16"	30 3/16"	8 1/4"	15 3/8"	30 3/8"	-	-	-	Any Cosmic, Any Galaxy Grenadier P, Sentinel 5,10,15 Mercury 2 1/2, 5 Saturn 15, 25
___3025*	FLAT TRIM	16"	32"	7 3/4"	19 3/8"	35 3/8"	17"	33"	7 7/8"	
___3026*	1 1/4"	16"	32"	7 3/4"	19 3/8"	35 3/8"	17"	33"	6 3/4"	
___3027*	2 1/2"	16"	32"	7 3/4"	19 3/8"	35 3/8"	17"	33"	6"	
___3022*	4"	16"	32"	7 3/4"	19 3/8"	35 3/8"	17"	33"	4 1/2"	
___3028	4 1/2"	16"	32"	7 3/4"	19 3/8"	35 3/8"	17"	33"	4"	
___3023	SURF. MTD.	19 3/16"	35 3/16"	8 1/4"	19 3/8"	35 3/8"	-	-	-	
___4025*	FLAT TRIM	20"	27"	7 3/4"	23 3/8"	30 3/8"	21"	28"	7 7/8"	
___4026*	1 1/4"	20"	27"	7 3/4"	23 3/8"	30 3/8"	21"	28"	6 3/4"	
___4027*	2 1/2"	20"	27"	7 3/4"	23 3/8"	30 3/8"	21"	28"	6"	
___4022*	4"	20"	27"	7 3/4"	23 3/8"	30 3/8"	21"	28"	4 1/2"	
___4028	4 1/2"	20"	27"	7 3/4"	23 3/8"	30 3/8"	21"	28"	4"	
___4023	SURF. MTD.	23 3/16"	30 3/16"	8 1/4"	23 3/8"	30 3/8"	-	-	-	

*MEETS A.D.A. PROJECTION CRITERIA

Look to JL Industries for Additional Products Including: • Access Panels • Roof Hatches • Floor Doors • Floor Mats and Gratings • Security Products • Life Safety - Automated External Defibrillators, Emergency Oxygen and Cabinets