



JL INDUSTRIES
INCORPORATED

CLEAR-VU FIRE FX

DETAIL AND SUBMITTAL SHEET

MODEL NUMBER: _____ QUANTITY: _____

DISTRIBUTOR: _____

PROJECT: _____

ARCHITECT: _____

CONTRACTOR: _____

APPROVED BY: _____ DATE: _____

STEP 1 SELECT MODEL NUMBER AND QUANTITY (refer to chart on back for model number)

A. Fire-FX Option for fire rated walls.

B. Determine Trim Style according to wall depth.

C. Determine Tub I.D. according to size most suited for extinguisher and wall opening.

NOTE: If wall is fire rated, ask for separate Fire-FX™ recessed or semi-recessed cabinet detail and submittal sheet.

STEP 2 SELECT DOOR STYLE (check "x" one box below)

- F FULL GLASS W/PULL HANDLE
- G FULL GLASS W/SAF-T-LOK

STEP 3 SELECT DOOR GLAZING (check "x" one box below)

- 25-CLEAR BUBBLE
- 26-RED BUBBLE
- 27-BRONZE BUBBLE

STEP 4 SELECT OPTIONS (if applicable check "x" any box below)

- | | | |
|---|--|--|
| <input type="checkbox"/> COLOR EPOXY COATED TUB | <input type="checkbox"/> FE LETTERS - BLK VERTICAL | <input type="checkbox"/> DECALS - BLK VERTICAL |
| <input type="checkbox"/> COLOR EPOXY COATED DOOR AND TRIM: FOR STEEL ONLY | <input type="checkbox"/> FE LETTERS - RED VERTICAL | <input type="checkbox"/> DECALS - RED VERTICAL |
| <input type="checkbox"/> COLOR ANODIZED DOOR AND TRIM: FOR ALUMINUM ONLY | <input type="checkbox"/> FE LETTERS - WHITE VERTICAL | <input type="checkbox"/> DECALS - WHITE VERTICAL |
| <input type="checkbox"/> FUTURA "FIRE" HANDLE | <input type="checkbox"/> FE LETTERS - BLK HORIZONTAL | <input type="checkbox"/> DECALS - BLK HORIZONTAL |
| <input type="checkbox"/> U.S. 4 SATIN BRASS CLEAR COATED | <input type="checkbox"/> FE LETTERS - RED HORIZONTAL | <input type="checkbox"/> DECALS - RED HORIZONTAL |
| <input type="checkbox"/> U.S. 9 POLISHED BRIGHT BRONZE | <input type="checkbox"/> FE LETTERS - WHITE HORIZONTAL | <input type="checkbox"/> DECALS - WHITE HORIZONTAL |
| <input type="checkbox"/> U.S. 10B FINISH DARK OXIDIZED BRONZE OIL RUBBED | <input type="checkbox"/> COMMANDER ALARM | <input type="checkbox"/> BRIGADIER ALARM |
| <input type="checkbox"/> ALUMINUM TUB: FOR ALUMINUM CABINETS ONLY | | |
| <input type="checkbox"/> #4 STAINLESS STEEL TUB: FOR STAINLESS STEEL ONLY | | |
| <input type="checkbox"/> #6 SATIN STAINLESS | | |
| <input type="checkbox"/> #7 POLISHED STAINLESS | | |
| <input type="checkbox"/> #8 POLISHED STAINLESS | | |

JL INDUSTRIES FAX: 952-835-2218 – 4450 W. 78th St. Circle, Bloomington, MN 55435 PHONE: 952-835-6850
JL WEST COAST FAX: 323-726-9068 – 6285 Randolph Street, Commerce, CA 90040 PHONE: 323-726-9070
JL SOUTH EAST FAX: 239-693-7501 – 5758 Corporation Circle, FT. Myers, FL 33905 PHONE: 239-693-7500

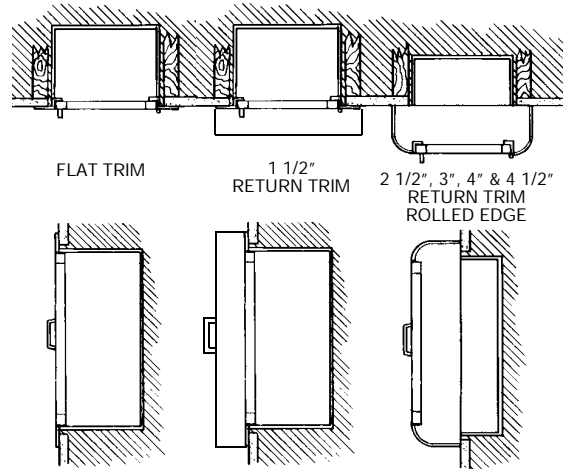
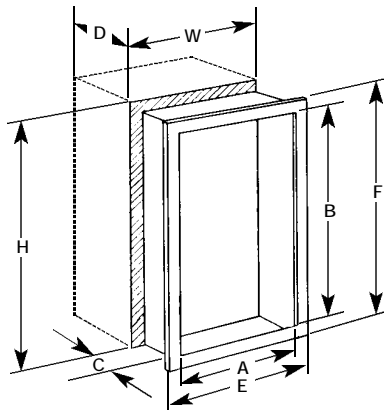
Visit our website for additional specification information.

www.jlindustries.com

CABINET SPECIFICATIONS

- Fire FX option for fire rated walls
- Steel trim and door material - electrostatic white epoxy primer finish
- Aluminum trim and door material - #180 clear anodized aluminum finish
- Stainless Steel trim and door material - #4 satin stainless steel finish
- Bronze trim and door material - US10 satin bronze finish
- Brass trim and door material - US3 polished brass finish
- Tub - steel with electrostatic white epoxy primer finish
- Standard door hardware - continuous hinge, pull handle/roller catch
- SAF-T-LOK doors - cylinder lock with flexible cam

EXPLODED TOP AND SIDE VIEWS
REFER TO DIMENSIONS TABLE BELOW



DIMENSIONS IN INCHES

STEEL MODEL #	ALUMINUM MODEL #	STAIN. STEEL MODEL #	TRIM STYLE	TUB I.D.			FRAME O.D.		WALL OPENING FX OPTION			ACCOMMODATES THESE J.L. EXTINGUISHERS
				A	B	C	E	F	W	H	D	
___1515*	___1525*	___1535*	FLAT TRIM	10 1/2"	24"	4"	13 7/8"	27 3/8"	12 1/2"	26 1/8"	4 7/8"	Cosmic 2 1/2E, 5E, 5X, 6E, 10E Galaxy 2 1/2, 5, 5 1/2, 6, 10 Sentinel 5 Mercury 2 1/2, 5
___1516	___1526	___1536	1 1/2"	10 1/2"	24"	4"	13 7/8"	27 3/8"	12 1/2"	26 1/8"	3 1/2"	
___1517	___1527	___1537	3"	10 1/2"	24"	4"	13 7/8"	27 3/8"	12 1/2"	26 1/8"	*2"	
___2515*	___2525*	___2535*	FLAT TRIM	14"	30"	4"	17 3/8"	33 3/8"	16"	32 1/8"	4 7/8"	Any Cosmic, Any Galaxy, Sentinel 5, 10 Grenadier P Mercury 2 1/2, 5 Saturn 15, 25
___2516	___2526	___2536	1 1/4"	14"	30"	4"	17 3/8"	33 3/8"	16"	32 1/8"	3 3/4"	
___2517	___2527	___2537	2 1/2"	14"	30"	4"	17 3/8"	33 3/8"	16"	32 1/8"	*2 1/2"	
___4515	___4525	___4535	FLAT TRIM	28"	30"	4"	31 3/8"	33 3/8"	30"	32 1/8"	4 7/8"	2 of: Any Cosmic, Any Galaxy, Sentinel 5, 10, Mercury 2 1/2, 5 Saturn 15, 25

BRONZE MODEL #	BRASS MODEL #	TRIM STYLE	TUB I.D.			FRAME O.D.		WALL OPENING FX OPTION			ACCOMMODATES THESE J.L. EXTINGUISHERS
			A	B	C	E	F	W	H	D	
___1545*	___1555*	FLAT TRIM	10 1/2"	24"	4"	13 7/8"	27 3/8"	12 1/2"	26 1/8"	4 7/8"	Cosmic 2 1/2E, 5E, 5X, 6E, 10E Galaxy 2 1/2, 5, 5 1/2, 6, 10 Sentinel 5 Mercury 2 1/2, 5
___1546	___1556	1 1/2"	10 1/2"	24"	4"	13 7/8"	27 3/8"	12 1/2"	26 1/8"	3 1/2"	
___1547	___1557	3"	10 1/2"	24"	4"	13 7/8"	27 3/8"	12 1/2"	26 1/8"	*2"	
___2545*	___2555*	FLAT TRIM	14"	30"	4"	17 3/8"	33 3/8"	16"	32 1/8"	4 7/8"	Any Cosmic, Any Galaxy, Sentinel 5, 10 Grenadier P Mercury 2 1/2, 5 Saturn 15, 25
___2546	___2556	1 1/4"	14"	30"	4"	17 3/8"	33 3/8"	16"	32 1/8"	3 3/4"	

*ADD 5/8" FOR CABINETS WITH ALUMINUM FRAMES. ALL FIRE EXTINGUISHERS MUST BE MOUNTED ON THE BACK OF THE CABINET.

*MEETS A.D.A. PROJECTION CRITERIA

Look to JL Industries for Additional Products Including: • Access Panels • Roof Hatches • Floor Doors • Floor Mats and Gratings • Security Products • Life Safety - Automated External Defibrillators, Emergency Oxygen and Cabinets