



JL INDUSTRIES
INCORPORATED

PANORAMA FIRE FX **DETAIL AND SUBMITTAL SHEET**

MODEL NUMBER: _____ QUANTITY: _____

DISTRIBUTOR: _____

PROJECT: _____

ARCHITECT: _____

CONTRACTOR: _____

APPROVED BY: _____ DATE: _____

STEP 1 SELECT MODEL NUMBER AND QUANTITY (refer to chart on back for model number)

- A. Fire-FX Option for fire rated walls.
- B. Determine Trim Style according to wall depth.
- C. Determine Tub I.D. according to size most suited for extinguisher and wall opening.

STEP 2 SELECT DOOR STYLE (check "x" one box below)

- | | |
|--|--|
| <input type="checkbox"/> C70 - CLEAR 1/4" FRAMELESS, BACKLESS, UNLETTERED SMOOTH ACRYLIC ONLY | LETTERING ARRANGED VERTICALLY (V), HORIZONTALLY (H) OR ALONG THE HINGE (A) ON THE BACK; COLOR OF LETTERING AND BACKGROUND AVAILABLE IN COMBINATIONS OF WHITE, BLACK OR RED |
| <input type="checkbox"/> C71 - CLEAR, 1/4" FRAMELESS, BACKLESS, UNLETTERED SMOOTH ACRYLIC WITH SAF-T-LOK | |
| <input type="checkbox"/> P - IDENTITY: 3/16" FRAMELESS, ALUMINUM BACKED TEXTURED OBSCURE ACRYLIC WITH FE | <input type="checkbox"/> Q - IDENTITY WITH SAF-T-LOK |

STEP 3 SELECT DOOR GLAZING (For P&Q, identify door styles)

- | | |
|---|---|
| <input type="checkbox"/> 40-V, BLACK BACKGROUND W/WHITE LETTERS | <input type="checkbox"/> 50-A, BLACK BACKGROUND W/WHITE LETTERS |
| <input type="checkbox"/> 41-V, RED BACKGROUND W/WHITE LETTERS | <input type="checkbox"/> 51-A, RED BACKGROUND W/WHITE LETTERS |
| <input type="checkbox"/> 42-V, WHITE BACKGROUND W/BLACK LETTERS | <input type="checkbox"/> 52-A, WHITE BACKGROUND W/BLACK LETTERS |
| <input type="checkbox"/> 43-V, WHITE BACKGROUND W/RED LETTERS | <input type="checkbox"/> 53-A, WHITE BACKGROUND W/RED LETTERS |
| <input type="checkbox"/> 45-H, BLACK BACKGROUND W/WHITE LETTERS | |
| <input type="checkbox"/> 46-H, RED BACKGROUND W/WHITE LETTERS | |
| <input type="checkbox"/> 47-H, WHITE BACKGROUND W/BLACK LETTERS | |
| <input type="checkbox"/> 48-H, WHITE BACKGROUND W/RED LETTERS | |

STEP 4 SELECT OPTIONS (if applicable check "x" any box below)

- | | | |
|---|--|---|
| <input type="checkbox"/> COLOR EPOXY TUB - RED | <input type="checkbox"/> FE LETTERS - BLK VERTICAL | <input type="checkbox"/> DECALS - BLK VERTICAL |
| <input type="checkbox"/> COLOR EPOXY TUB - BLK | <input type="checkbox"/> FE LETTERS - RED VERTICAL | <input type="checkbox"/> DECALS - RED VERTICAL |
| <input type="checkbox"/> COLOR EPOXY TRIM - RED | <input type="checkbox"/> FE LETTERS - WHITE VERTICAL | <input type="checkbox"/> DECALS - WHITE VERTICAL |
| <input type="checkbox"/> COLOR EPOXY TRIM - BLK | <input type="checkbox"/> FE LETTERS - BLK HORIZONTAL | <input type="checkbox"/> DECALS - BLK HORIZONTAL |
| <input type="checkbox"/> CUSTOM COLOR - ADVISE | <input type="checkbox"/> FE LETTERS - RED HORIZONTAL | <input type="checkbox"/> DECALS - RED HORIZONTAL |
| <input type="checkbox"/> ALUMINUM TUB, MILL FINISH | <input type="checkbox"/> FE LETTERS - WHITE HORIZONTAL | <input type="checkbox"/> DECALS - WHITE HORIZONTAL |
| <input type="checkbox"/> COLOR ANODIZED TRIM: ALUMINUM ONLY | <input type="checkbox"/> COMMANDER ALARM | <input type="checkbox"/> BRIGADIER ALARM |
| <input type="checkbox"/> STAINLESS TUB, #4 SATIN FINISH | <input type="checkbox"/> FUTURA HANDLE | <input type="checkbox"/> FLUSH PULL HANDLE - P/Q ONLY |
| <input type="checkbox"/> #6 SATIN STAINLESS TRIM | | |
| <input type="checkbox"/> #7 POLISHED STAINLESS TRIM | | |
| <input type="checkbox"/> #8 MIRROR STAINLESS TRIM | | |

JL INDUSTRIES FAX: 952-835-2218 – 4450 W. 78th St. Circle, Bloomington, MN 55435 PHONE: 952-835-6850
JL WEST COAST FAX: 323-726-9068 – 6285 Randolph Street, Commerce, CA 90040 PHONE: 323-726-9070
JL SOUTH EAST FAX: 239-693-7501 – 5758 Corporation Circle, FT. Myers, FL 33905 PHONE: 239-693-7500

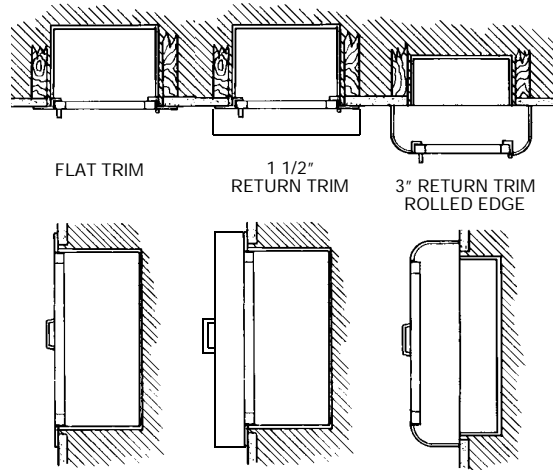
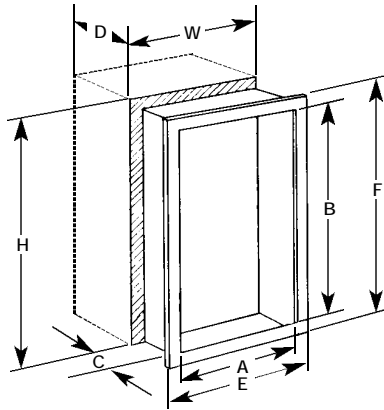
Visit our website for additional specification information.

www.jlindustries.com

CABINET SPECIFICATIONS

- Fire-FX option for fire rated walls
- Steel trim - electrostatic white epoxy primer finish • Aluminum trim - #180 clear anodized aluminum finish
- Stainless Steel trim - #4 satin stainless steel finish • Tub - steel with electrostatic white epoxy primer finish
- Standard door hardware - continuous hinge, pull handle/roller catch • SAF-T-LOK doors - cylinder lock with flexible cam

EXPLODED TOP AND SIDE VIEWS
REFER TO DIMENSIONS TABLE BELOW



DIMENSIONS IN INCHES

STEEL MODEL #	ALUM. MODEL #	STAIN. STEEL MODEL #	TRIM STYLE	TUB I.D.			FRAME O.D.		WALL OPENING FX OPTION			ACCOMMODATES THESE J.L. EXTINGUISHERS
				A	B	C	E	F	W	H	D	
___1815*	___1825*	___1835*	FLAT TRIM	10 1/2"	24"	5 1/2"	13 7/8"	27 3/8"	12 1/2"	26 1/8"	6 3/8"	Cosmic 2 1/2E, 5E, 5X Galaxy 2 1/2, 5, 5 1/2 Mercury 2 1/2, 5
___1816*	___1826*	___1836*	1 1/2"	10 1/2"	24"	5 1/2"	13 7/8"	27 3/8"	12 1/2"	26 1/8"	4 7/8"	
___1817*	___1827*	___1837*	3"	10 1/2"	24"	5 1/2"	13 7/8"	27 3/8"	12 1/2"	26 1/8"	3 1/2"	
___1812*	___1822*	___1832*	4"	10 1/2"	24"	5 1/2"	13 7/8"	27 3/8"	12 1/2"	26 1/8"	2 1/2"	
___1818	___1828	___1838	4 1/2"	10 1/2"	24"	5 1/2"	13 7/8"	27 3/8"	12 1/2"	26 1/8"	2"	
___1015*	___1025*	___1035*	FLAT TRIM	10 1/2"	24"	6"	13 7/8"	27 3/8"	12 1/2"	26 1/8"	6 7/8"	Cosmic 2 1/2E, 5E, 5X, 6E, 10E Galaxy 2 1/2, 5, 5 1/2, 6, 10 Sentinel 5 Mercury 2 1/2, 5
___1016*	___1026*	___1036*	1 1/2"	10 1/2"	24"	6"	13 7/8"	27 3/8"	12 1/2"	26 1/8"	5 3/8"	
___1017*	___1027*	___1037*	3"	10 1/2"	24"	6"	13 7/8"	27 3/8"	12 1/2"	26 1/8"	4"	
___1012*	___1022*	___1032*	4"	10 1/2"	24"	6"	13 7/8"	27 3/8"	12 1/2"	26 1/8"	3"	
___1018	___1028	___1038	4 1/2"	10 1/2"	24"	6"	13 7/8"	27 3/8"	12 1/2"	26 1/8"	2 1/2"	
___2015*	___2025*	___2035*	FLAT TRIM	12"	27"	7 3/4"	15 3/8"	30 3/8"	14"	29 1/8"	8 1/2"	Any Cosmic, Any Galaxy Grenadier P, Sentinel 5, 10 Mercury 2 1/2, 5 Saturn 15, 25
___2016*	___2026*	___2036*	1 1/4"	12"	27"	7 3/4"	15 3/8"	30 3/8"	14"	29 1/8"	7 3/8"	
___2017*	___2027*	___2037*	2 1/2"	12"	27"	7 3/4"	15 3/8"	30 3/8"	14"	29 1/8"	6 3/8"	
___2012*	___2022*	___2032*	4"	12"	27"	7 3/4"	15 3/8"	30 3/8"	14"	29 1/8"	4 5/8"	
___2018	___2028	___2038	4 1/2"	12"	27"	7 3/4"	15 3/8"	30 3/8"	14"	29 1/8"	4 1/8"	
___3015*	___3025*	___3035*	FLAT TRIM	16"	32"	7 3/4"	19 3/8"	35 3/8"	18"	34 1/8"	8 1/2"	Any Cosmic, Any Galaxy Grenadier P, Sentinel 5, 10, 15 Mercury 2 1/2, 5 Saturn 15, 25
___3016*	___3026*	___3036*	1 1/4"	16"	32"	7 3/4"	19 3/8"	35 3/8"	18"	34 1/8"	7 3/8"	
___3017*	___3027*	___3037*	2 1/2"	16"	32"	7 3/4"	19 3/8"	35 3/8"	18"	34 1/8"	6 3/8"	
___3012*	___3022*	___3032*	4"	16"	32"	7 3/4"	19 3/8"	35 3/8"	18"	34 1/8"	4 5/8"	
___3018	___3028	___3038	4 1/2"	16"	32"	7 3/4"	19 3/8"	35 3/8"	18"	34 1/8"	4 1/8"	
___4015*	___4025*	___4035*	FLAT TRIM	20"	27"	7 3/4"	23 3/8"	30 3/8"	22"	29 1/8"	8 1/2"	Two each of: Any Cosmic Any Galaxy Grenadier P, Sentinel 5, 10 Mercury 2 1/2, 5 Saturn 15, 25
___4016*	___4026*	___4036*	1 1/4"	20"	27"	7 3/4"	23 3/8"	30 3/8"	22"	29 1/8"	7 3/8"	
___4017*	___4027*	___4037*	2 1/2"	20"	27"	7 3/4"	23 3/8"	30 3/8"	22"	29 1/8"	6 3/8"	
___4012*	___4022*	___4032*	4"	20"	27"	7 3/4"	23 3/8"	30 3/8"	22"	29 1/8"	4 5/8"	
___4018	___4028	___4038	4 1/2"	20"	27"	7 3/4"	23 3/8"	30 3/8"	22"	29 1/8"	4 1/8"	

*MEETS A.D.A. PROJECTION CRITERIA

Look to JL Industries for Additional Products Including: • Access Panels • Roof Hatches • Floor Doors • Floor Mats and Gratings • Security Products • Life Safety - Automated External Defibrillators, Emergency Oxygen and Cabinets