



JL INDUSTRIES
INCORPORATED

CLEAR-VU **DETAIL AND SUBMITTAL SHEET**

MODEL NUMBER: _____ QUANTITY: _____

DISTRIBUTOR: _____

PROJECT: _____

ARCHITECT: _____

CONTRACTOR: _____

APPROVED BY: _____ DATE: _____

STEP 1 SELECT MODEL NUMBER AND QUANTITY (refer to chart on back for model number)

A. Determine Trim Style according to wall depth.

B. Determine Tub I.D. according to size most suited for extinguisher and wall opening.

NOTE: If wall is fire rated, ask for separate Fire-FX™ recessed or semi-recessed cabinet detail and submittal sheet.

STEP 2 SELECT DOOR STYLE (check "x" one box below)

F FULL GLASS W/PULL HANDLE

G FULL GLASS W/SAF-T-LOK

STEP 3 SELECT DOOR GLAZING (check "x" one box below)

25-CLEAR BUBBLE

26-RED BUBBLE

27-BRONZE BUBBLE

STEP 4 SELECT OPTIONS (if applicable check "x" any box below)

COLOR EPOXY COATED TUB

COLOR EPOXY COATED DOOR
AND TRIM: FOR STEEL ONLY

COLOR ANODIZED DOOR AND
TRIM: FOR ALUMINUM ONLY

FUTURA "FIRE" HANDLE

U.S. 4 SATIN BRASS CLEAR COATED

U.S. 9 POLISHED BRIGHT BRONZE

U.S. 10B FINISH DARK OXIDIZED
BRONZE OIL RUBBED

ALUMINUM TUB: FOR ALUMINUM
CABINETS ONLY

#4 STAINLESS STEEL TUB: FOR
STAINLESS STEEL ONLY

#6 SATIN STAINLESS

#7 POLISHED STAINLESS

#8 POLISHED STAINLESS

FE LETTERS - BLK VERTICAL

FE LETTERS - RED VERTICAL

FE LETTERS - WHITE VERTICAL

FE LETTERS - BLK HORIZONTAL

FE LETTERS - RED HORIZONTAL

FE LETTERS - WHITE HORIZONTAL

COMMANDER ALARM

DECALS - BLK VERTICAL

DECALS - RED VERTICAL

DECALS - WHITE VERTICAL

DECALS - BLK HORIZONTAL

DECALS - RED HORIZONTAL

DECALS - WHITE HORIZONTAL

BRIGADIER ALARM

JL INDUSTRIES FAX: 952-835-2218 – 4450 W. 78th St. Circle, Bloomington, MN 55435 PHONE: 952-835-6850

JL WEST COAST FAX: 323-726-9068 – 6285 Randolph Street, Commerce, CA 90040 PHONE: 323-726-9070

JL SOUTH EAST FAX: 239-693-7501 – 5758 Corporation Circle, FT. Myers, FL 33905 PHONE: 239-693-7500

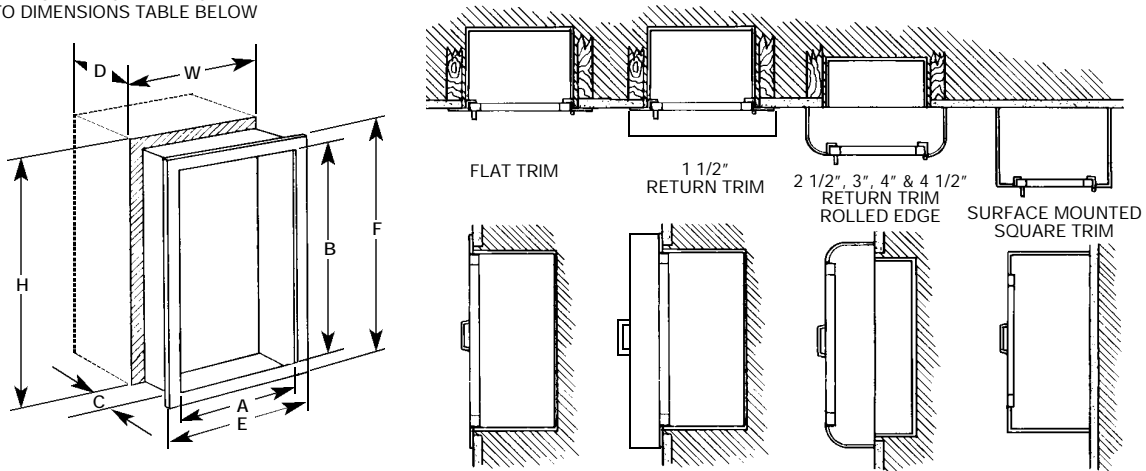
Visit our website for additional specification information.

www.jlindustries.com

CABINET SPECIFICATIONS

- Steel trim and door material - electrostatic white epoxy primer finish
- Aluminum trim and door material - #180 clear anodized aluminum finish
- Stainless Steel trim and door material - #4 satin stainless steel finish
- Bronze trim and door material - US10 satin bronze finish
- Brass trim and door material - US3 polished brass finish
- Tub - steel with electrostatic white epoxy primer finish
- Standard door hardware - continuous hinge, pull handle/roller catch
- SAF-T-LOK doors - cylinder lock with flexible cam

EXPLODED TOP AND SIDE VIEWS
REFER TO DIMENSIONS TABLE BELOW



DIMENSIONS IN INCHES

STEEL MODEL #	ALUMINUM MODEL #	STAIN. STEEL MODEL #	TRIM STYLE	TUB I.D.			FRAME O.D.		WALL OPENING NON-RATED			ACCOMMODATES THESE J.L. EXTINGUISHERS
				A	B	C	E	F	W	H	D	
___1515*	___1525*	___1535*	FLAT TRIM	10 1/2"	24"	4"	13 7/8"	27 3/8"	11 1/2"	25"	4"	Cosmic 2 1/2E, 5E, 5X, 6E, 10E Galaxy 2 1/2, 5, 51/2, 6, 10 Sentinel 5 Mercury 2 1/2, 5
___1516	___1526	___1536	1 1/2"	10 1/2"	24"	4"	13 7/8"	27 3/8"	11 1/2"	25"	2 5/8"	
___1517	___1527	___1537	3"	10 1/2"	24"	4"	13 7/8"	27 3/8"	11 1/2"	25"	1 1/8"	
___1513	___1523	___1539	SURF. MTD.	13 11/16"	27 3/16"	4 5/8"	13 7/8"	27 3/8"	-	-	-	
___2515*	___2525*	___2535*	FLAT TRIM	14"	30"	4"	17 3/8"	33 3/8"	15"	31"	4"	Any Cosmic, Any Galaxy, Sentinel 5, 10 Grenadier P Mercury 2 1/2, 5 Saturn 15, 25
___2516	___2526	___2536	1 1/4"	14"	30"	4"	17 3/8"	33 3/8"	15"	31"	2 7/8"	
___2517	___2527	___2537	2 1/2"	14"	30"	4"	17 3/8"	33 3/8"	15"	31"	*1 5/8"	
___2513	___2523	___2539	SURF. MTD.	17 3/16"	33 3/16"	4 5/8"	17 3/8"	33 3/8"	-	-	-	
___4515	___4525	___4535	FLAT TRIM	28"	30"	4"	31 3/8"	33 3/8"	29"	31"	4"	2 of: Any Cosmic, Any Galaxy, Sentinel 5, 10, Mercury 2 1/2, 5 Saturn 15, 25
___4513	___4523	___4539	SURF. MTD.	31 3/16"	33 3/16"	4 5/8"	31 3/8"	33 3/8"	-	-	-	

BRONZE MODEL #	BRASS MODEL #	TRIM STYLE	TUB I.D.			FRAME O.D.		WALL OPENING NON-RATED			ACCOMMODATES THESE J.L. EXTINGUISHERS
			A	B	C	E	F	W	H	D	
___1545*	___1555*	FLAT TRIM	10 1/2"	24"	4"	13 7/8"	27 3/8"	11 1/2"	25"	4"	Cosmic 2 1/2E, 5E, 5X, 6E, 10E Galaxy 2 1/2, 5, 51/2, 6, 10 Sentinel 5 Mercury 2 1/2, 5
___1546	___1556	1 1/2"	10 1/2"	24"	4"	13 7/8"	27 3/8"	11 1/2"	25"	2 5/8"	
___1547	___1557	3"	10 1/2"	24"	4"	13 7/8"	27 3/8"	11 1/2"	25"	1 1/8"	
___2545*	___2555*	FLAT TRIM	14"	30"	4"	17 3/8"	33 3/8"	15"	31"	4"	Any Cosmic, Any Galaxy, Sentinel 5, 10 Grenadier P Mercury 2 1/2, 5 Saturn 15, 25
___2546	___2556	1 1/4"	14"	30"	4"	17 3/8"	33 3/8"	15"	31"	2 7/8"	

*ADD 5/8" FOR CABINETS WITH ALUMINUM FRAMES. ALL FIRE EXTINGUISHERS MUST BE MOUNTED ON THE BACK OF THE CABINET.

*MEETS A.D.A. PROJECTION CRITERIA

Look to JL Industries for Additional Products Including: • Access Panels • Roof Hatches • Floor Doors • Floor Mats and Gratings • Security Products • Life Safety - Automated External Defibrillators, Emergency Oxygen and Cabinets